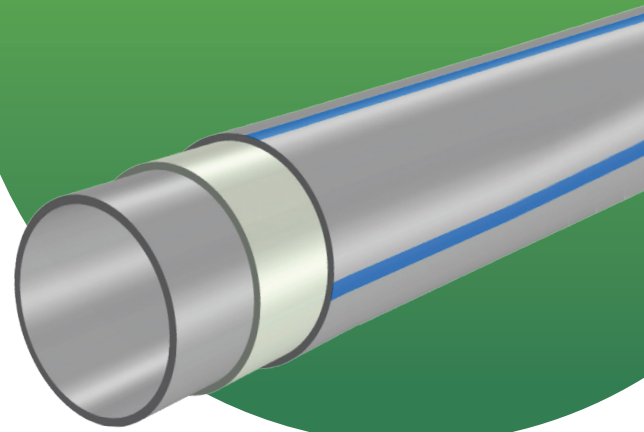


WefaKlim fiber pipes, the solution for HVAC applications



A superior alternative to traditional systems that last for decades!

Manufactured in Germany to the highest international standards, WefaKlim pipes are made from PP-RCT, Polypropylene Random Copolymer with a modified crystalline structure and enhanced temperature performance. The fine crystal structure has the particularity to make WefaKlim pipes stronger (MRS 11.2 vs. MRS 10 for PP-R) and higher resistant to chemical additives. It is particularly well suited for chilled water and air-conditioning applications.

- 3 layers fiber pipes, for better resistance to thermal expansion
- Recognizable by its grey color and 4 blue stripes (d20 and d25 without stripes)
- ISO 15874 class 1/6, 2/6, 4/6, 5/4 bar
- DIN 8077/8078 20°C/16 bar

WefaKlim Range & Application

WefaKlim Fiber Pipe, SDR 11

Length of pipes = 4 m

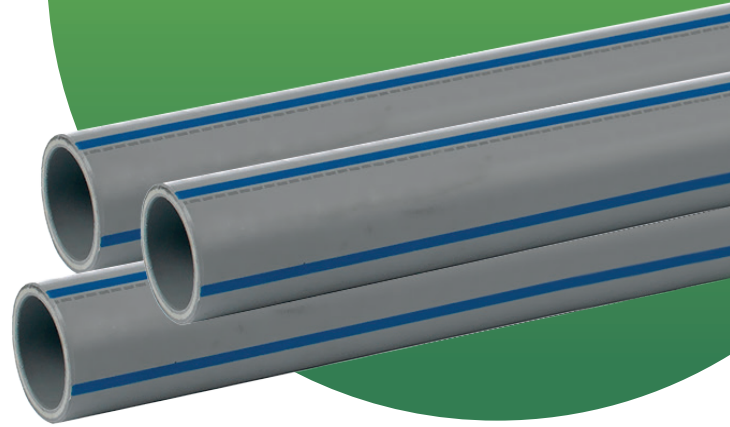
- Size Range 20 – 160mm (o.d.)
- Temperature as low as -15°C
- Larger internal diameter for better flowrate
- Connection with standard fittings
- Homogenous welding through various joining techniques with no additional tools (Socket, Butt & Electrofusion)
- Application: Chilled Water & Air Conditioning



The benefits of using plastic pipes

- High resistance to corrosion & longer lifecycle
- Smooth surface ensuring less friction
- Thin insulation necessary due to their excellent thermal insulation properties
- Light weight, easier to handle, less static loads
- Fast installation & maintenance-free

Specialist Water Supply Systems



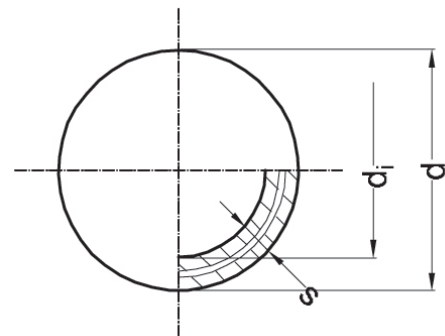
WefaKlim Range Specifications

dxs	Code		d ₁	l/m	DN	kg
20x	2,8	5150 20130	14,4	0,148	15	0,608
25x	3,5	5150 20131	18,0	0,230	20	0,944
32x	2,9	5150 20132	26,2	0,539	25	1,544
40x	3,7	5150 20133	32,6	0,835	32	2,440
50x	4,6	5150 20134	40,8	1,307	40	3,696
63x	5,8	5150 20135	51,4	2,075	50	4,224
75x	6,8	5150 20136	61,4	2,961	60	8,404
90x	8,2	5150 20137	73,6	4,254	65	8,268
110x	10,0	5150 20138	90,0	6,362	80	12,744
125x	11,4	5150 20139	102,2	8,203	100	16,396
160x	14,6	5150 20140	130,8	13,400	125	26,100

Wefatherm's specialist water supply system is made in Germany and has been used for over 30 years in different water applications that demand high standards of durability and reliability. The system is corrosion-free and is safe and easy to install for both hot and cold water supply systems.

The comprehensive product range includes both PP-R and PP-RCT and is manufactured according to highest ISO and DIN standards for hot and cold installations in PP material.

The Wefatherm factory, located in Wunstorf Germany, is focused on delivering quality systems all the way from initial product development stage through after sales support. Focused on innovation and quality, the system uses different welding technologies to make jointing easy, straight-forward and versatile.



High resistance to internal pressure, flexibility and impact resistance make PP-R and PP-RCT the ideal materials for safe and reliable of heating and cooling installations.

Contact us gulf@alixis.com

Aliaxis Gulf | T: +971 (0) 4 3629423 | F: +971 (0) 4 4587599
P.O Box 488100 Dubai, UAE | Indigo Tower Office 702 Cluster D, JLT